



OLYMPIA
STEEL BUILDINGS®



Quality, Strength, & Service

Factory Direct



40
year warranty

Our buildings are manufactured entirely in the United States and include a 40-year limited rust-through perforation warranty on AZ55 Galvalume® roof panels.

Olympia is recognized as one of the industry leaders in providing superior quality, service and durability at low prices.

If you need to build a simple garage or workshop, a warehouse, an industrial or commercial complex, a shelter for grain and livestock, an airplane hanger, a riding arena or even a worship space or family center, the skilled professionals at Olympia can make it happen at the best available price.





Olympia Steel Buildings are used in a variety of ways. View our most popular building designs on the following pages. Call today and have our expert building consultants design your custom building, suitable for almost any application you can dream of.

Commercial	4
Churches	5
Steel Horse Barns	6
Farming	7
Trucking	8
Industry	9
Aviation	10
Warehousing	11
Garages & Workshops	12
Sport & Recreation	13
Framing	14
Color Chart & Panels	16

- **Delivery Coast to Coast**
- **Courteous Building Professionals Will Help You Bring in Your Building on Budget and on Time!**
- **Galvanized Secondary Framing (Girts and Purlins)**
- **Save 50% to 60% Over Traditional Construction Costs**
- **40-Year Limited Rust-Through Perforation Warranty on AZ55 Galvalume® Roof Panels**
- **Limited Lifetime Warranty Against Rust on Stainless Steel Capped Roof Fasteners**
- **40-Year Limited Warranty on the Paint from Olympia and the Paint Manufacturer**



Call Today!

1-888-449-7756



Call today! Our expert building consultants are standing by 24 HOURS A DAY - to answer your questions - get you THE LOWEST POSSIBLE PRICE - and help you choose the Olympia building that suits your needs!

Commercial



Olympia's expert building consultants will recommend the perfect building for your needs. It doesn't matter if you need a building for a small retail store or a giant office complex for a Fortune 500 Company.

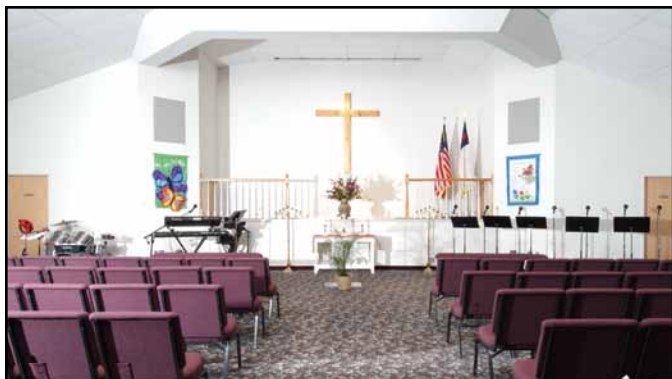
Olympia can design a building of any size suitable for any need imaginable. These buildings are virtually maintenance-free and built to withstand the worst that Mother Nature has to offer.



Churches



If your congregation needs a new worship space, family center, gymnasium or classrooms, Olympia can custom design the building to meet your needs. In addition, Olympia's strict quality control department ensures that all buildings meet or surpass local building codes.



Call Today!

1-888-449-7756



Call today! Our expert building consultants are standing by 24 HOURS A DAY - to answer your questions - get you THE LOWEST POSSIBLE PRICE - and help you choose the Olympia building that suits your needs!

Horse Barns & Arenas



Olympia buildings make good horse sense! Olympia can design a custom arena or stall complex to your exact specifications. With a 40-year limited rust-through perforation warranty on AZ55 Galvalume roof panels, easy bolt-up rigid frame construction and plenty of room for workshops and offices, you've got Olympia's TRIPLE CROWN guarantee.

40
year warranty





Farming

Your equipment, grain, livestock and other valuable investments are safe, even from the harshest weather conditions, with an Olympia steel building. Our buildings give you that sense of security because they are engineered and built to the highest standards of quality.



Call Today!

1-888-449-7756



Call today! Our expert building consultants are standing by 24 HOURS A DAY - to answer your questions - get you THE LOWEST POSSIBLE PRICE - and help you choose the Olympia building that suits your needs!

Trucking



Need some big steel for that big rig? When a single truck costs thousands of dollars, it makes sense to keep it protected. Olympia buildings are built super-tough to withstand years of heavy use. As your fleet grows, you can expand these buildings to virtually any length making your investment extremely cost effective.



Call Today!

1-888-449-7756



Call today! Our expert building consultants are standing by 24 HOURS A DAY - to answer your questions - get you THE LOWEST POSSIBLE PRICE - and help you choose the Olympia building that suits your needs!

Industry

Olympia is committed to serving United States industry. Our buildings are constructed entirely of the highest grade US steel available today. No factory is too large, no requirement is too complex for Olympia. Speak with an expert building consultant today to get a great price for your custom-built industrial use building.



Aviation



No need to clip your wings after you've earned them! Olympia can design your new hangar with column-free interiors up to 200 feet wide with unlimited lengths.

Combined with easy construction, extreme durability and the ability to expand your building any time, Olympia buildings can make your wild blue yonders brighter than ever before.



40
year warranty



Call Today!

1-888-449-7756



Call today! Our expert building consultants are standing by 24 HOURS A DAY - to answer your questions - get you THE LOWEST POSSIBLE PRICE - and help you choose the Olympia building that suits your needs!

Warehousing

Olympia is the solution to your warehousing woes. Our buildings save you time and money by reducing traditional construction time associated with brick, wood or block structures. Each building is fully customizable with a variety of ceiling lights, windows, insulation, doors and more.



Garages & Workshops



Keeping your car or truck sheltered from damaging rain, snow and sun has never been so easy and cost effective.

Our residential steel garages go up faster than traditional brick or wood frame garages. With a variety of vivid colors and matching trim colors, it's easy to match your home's exterior.



If you have always dreamed of having your own garage or backyard workshop, let us help you today.





Sports & Recreation

Olympia steel buildings can take your game to a whole new level with structures up to 200' wide and unlimited lengths. There are no posts or beams to obstruct any of your scheduled sporting events.

Whether you require gymnasiums, workout areas, a running track or even an indoor pool, your steel building will be designed to house all your recreational needs with enough space for offices and locker room facilities, as well.




Call Today!
1-888-449-7756

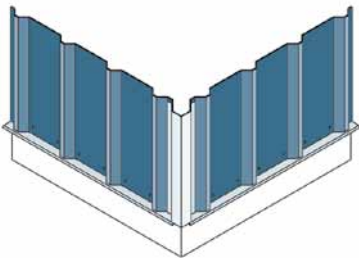
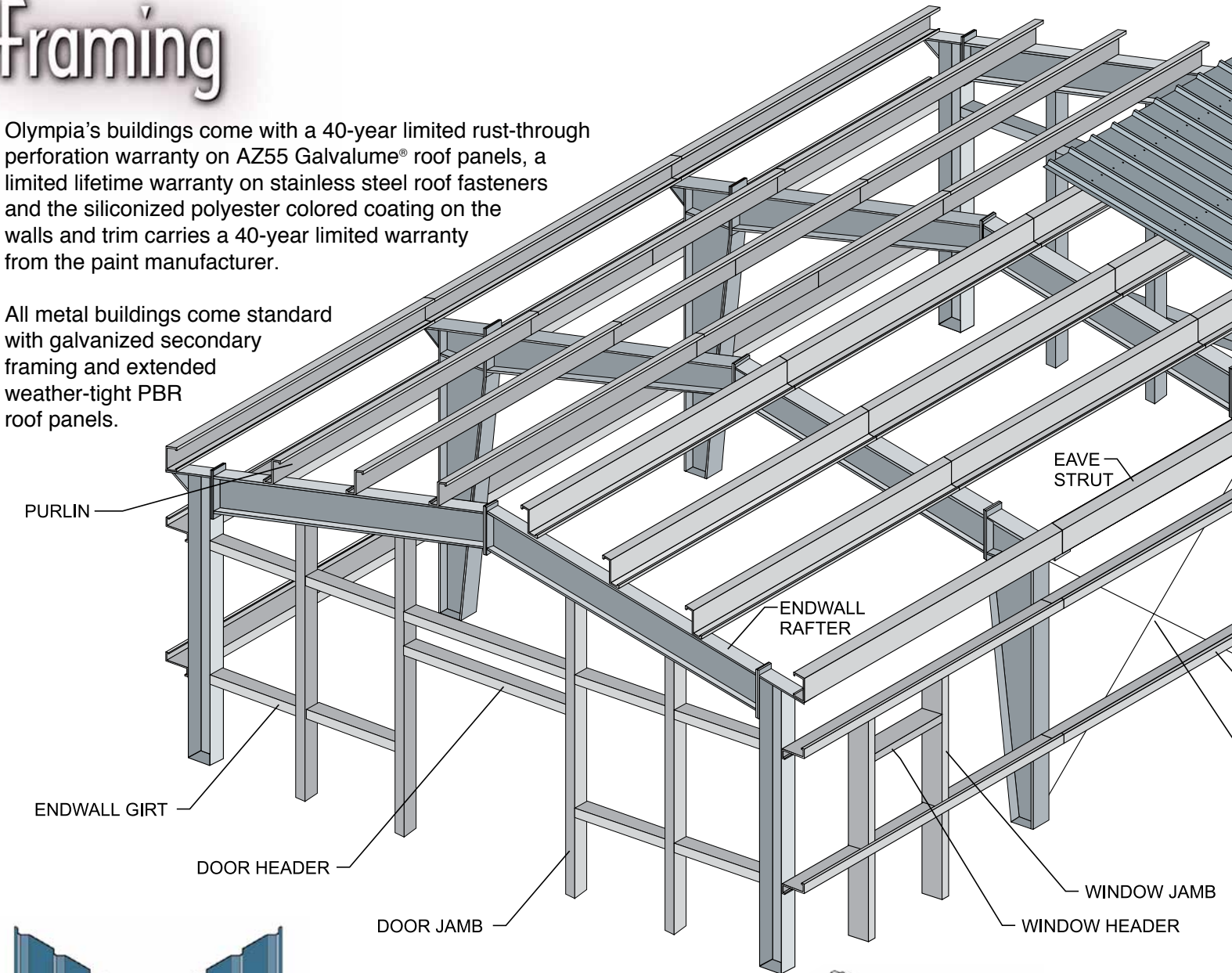


Call today! Our expert building consultants are standing by 24 HOURS A DAY - to answer your questions - get you THE LOWEST POSSIBLE PRICE - and help you choose the Olympia building that suits your needs!

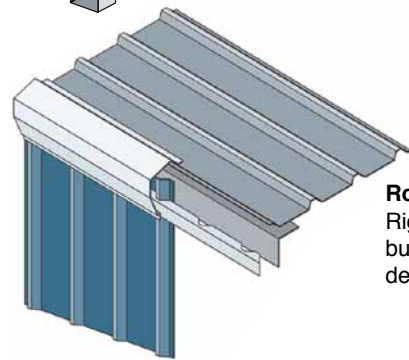
Framing

Olympia's buildings come with a 40-year limited rust-through perforation warranty on AZ55 Galvalume® roof panels, a limited lifetime warranty on stainless steel roof fasteners and the siliconized polyester colored coating on the walls and trim carries a 40-year limited warranty from the paint manufacturer.

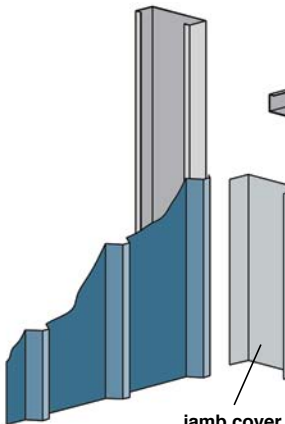
All metal buildings come standard with galvanized secondary framing and extended weather-tight PBR roof panels.



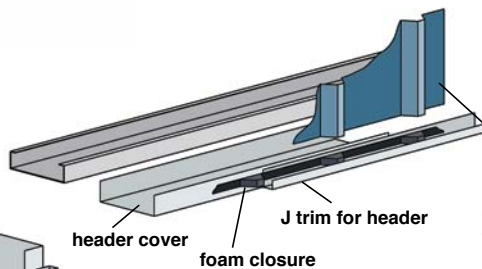
Corner Trim
1 1/4" deep rigid-rib design construction results in beauty and strength.



Roof Panels
Rigid-rib panels pre-cut to building dimensions and designed for long life.

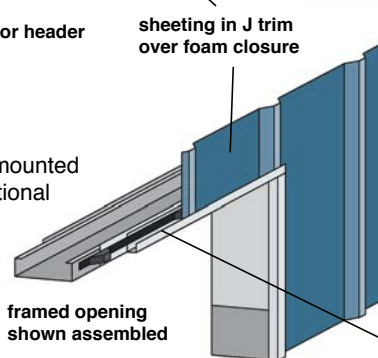


jamb cover



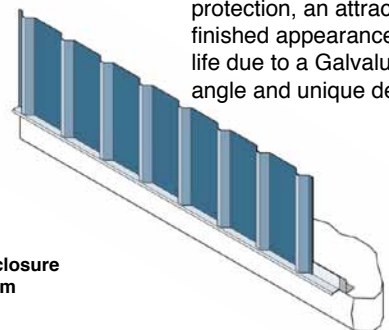
Framed Openings
Overhead doors can be mounted without the need for additional steel or hardware.

J trim for jamb

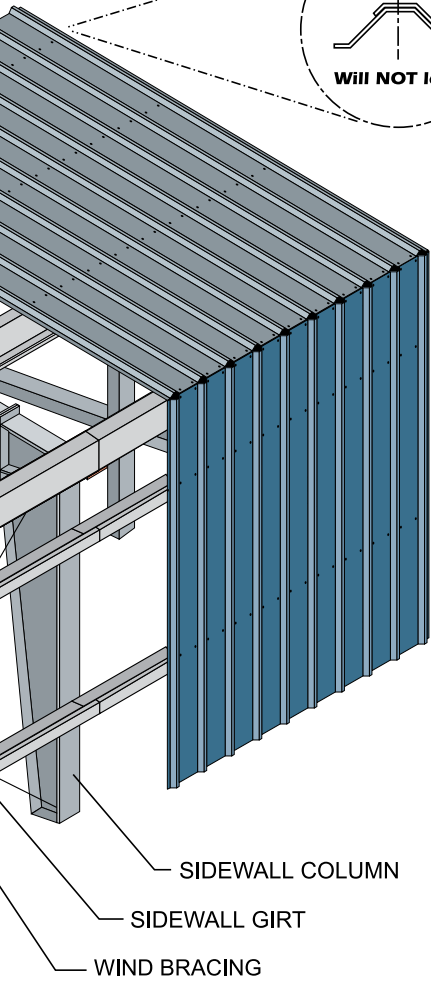
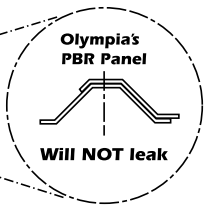


header cover
foam closure
J trim for header
sheeting in J trim over foam closure
framed opening shown assembled

foam closure in J trim



Base Trim
Provides maximum weather protection, an attractive finished appearance and long life due to a Galvalume base angle and unique design.



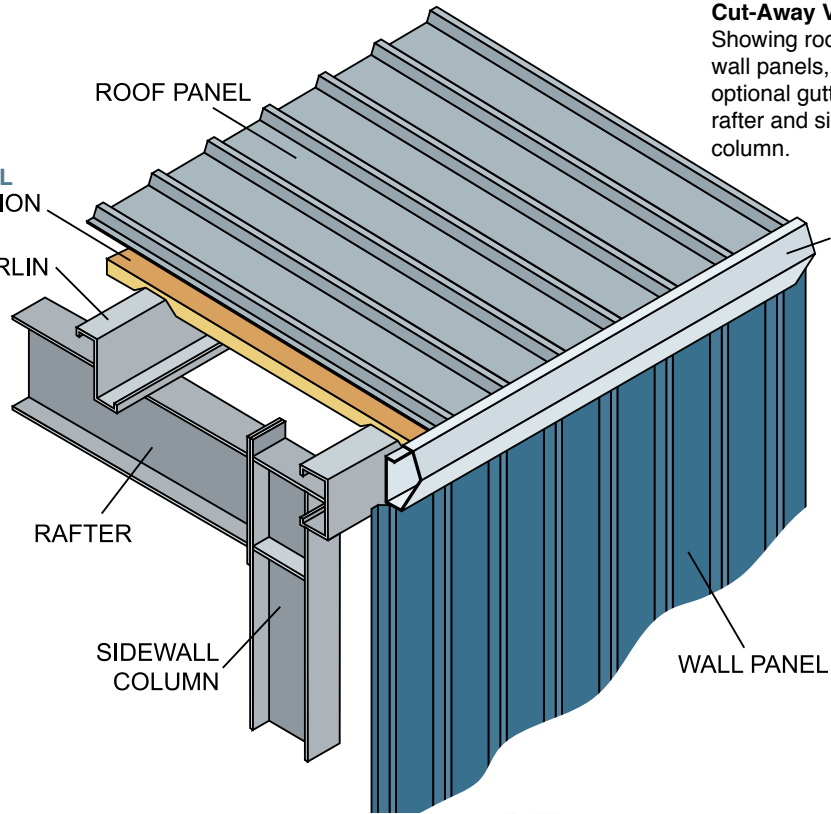
OPTIONAL INSULATION

PURLIN

RAFTER

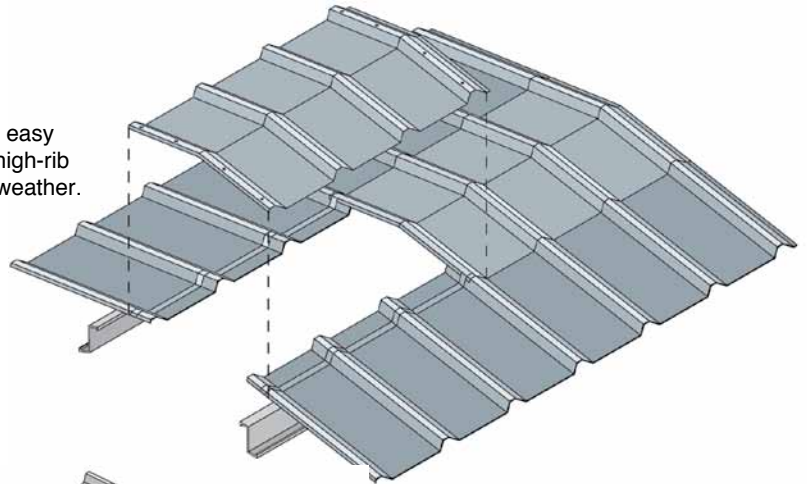
SIDEWALL COLUMN

Cut-Away View
Showing roof panels, wall panels, purlins, optional gutter system, rafter and sidewall column.



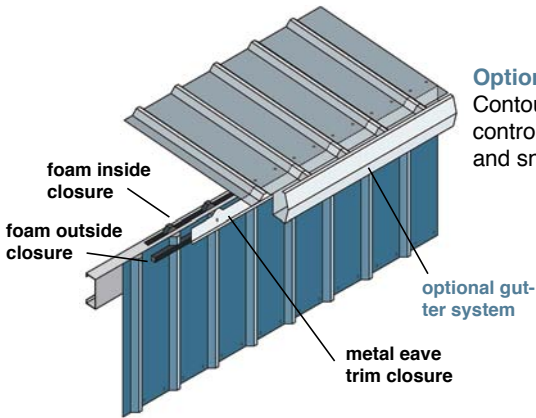
Ridge Cap

Factory formed for easy installation with a high-rib design for severe weather.



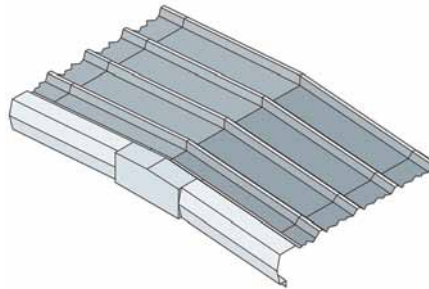
Optional Gutter System

Contour design efficiently controls drainage from rain and snow over doors.



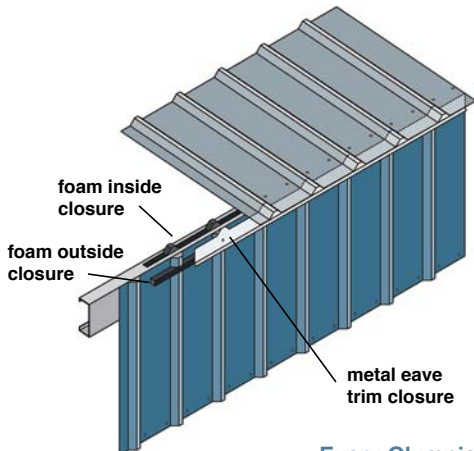
Ridge Cap With Peak Box

Factory formed for easy installation. High-rib design for severe weather.



Metal Eave Trim Closure

Architectural trim meets with roof and wall closures providing weather-tight seal.



All Secondary Framing
GALVANIZED
including base angle, C, E and Z channel

Every Olympia building comes standard with all items shown, unless noted as optional.

Olympia Offers the Highest Standards in the Industry

- **40-Year Limited Perforation Warranty**

Olympia's roof coating is AZ55 Galvalume® and requires no maintenance or painting to retain its original luster. It is comprised of 55% aluminum, 44% zinc and 1% silicone with the greater aluminum content creating a higher resistance to rust. There is a 40-year limited rust-through perforation warranty on the roof panels.

- **40-Year Limited Paint Warranty**

PBR sidewall panels are precision coated with several color options available. The paint manufacturer and Olympia offer a 40-year limited warranty on wall panel paint against chipping, cracking, peeling or blistering.

- **Limited Lifetime Stainless Steel Fastener Warranty**

Engineered for rapid drilling, Olympia's self-drilling stainless steel capped roof fasteners are supplied with an assembled neoprene washer and carry a limited lifetime warranty against rust. The fasteners provide a watertight seal, are composed of 18 parts chrome and eight parts nickel and will not rust, tarnish, turn gray or black.

- **Complete Trim Package**

Olympia provides a complete trim package to enhance the beauty of the building. This package includes "J" trim to cover cut edges of wall panels around door openings, jamb covers for the galvanized jambs and a header cover for the galvanized header.

- **Base Trim Package**

Olympia's base trim package completely seals the bottom of the building against all leaks. The trim on the bottom of the building matches the trim on the rest of the building creating a beautiful structure and is included at no additional charge.

- **Galvanized Secondary Framing**

A zinc coating (not a primer) is applied on all secondary framing for protection against rust and corrosion. This consists of purlins, girts, base angles, eave struts, overhead doorframes (jambs and headers of overhead doorframes) and all C-sections.



Color Choices

Olympia buildings are precision coated with a variety of color options available for the panels and trim*. Other colors are available. Speak with one of our building experts for details.

Panel and Trim Colors

** The colors represented below are matched as closely as possible. If you require an exact color match, please ask us for a paint sample.*

